

InGaAs PIN-TIA Device

Features:

- High sensitivity
- Low dark current & Capacitance
- Suitable For 155~2500Mbps applications
- Planar incident structure ST/FC/SC receptacle or pigtailed
- Rohs Compliant

Applications:

- FTTH ,Fast Ethernet
- SONET /SDH

Absolute maximum ratings

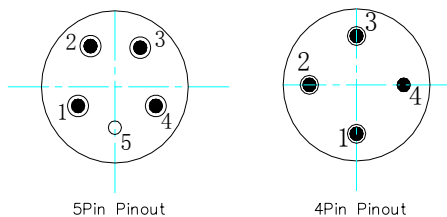
Parameter	Symbol	Value	Unit
Storage temperature	Tstg	-40~+100	°C
Operating temperature	Top	-40~+85	°C
Lead solder temperature	10 Seconds	260	°C

Electrical and Optical Characteristics (T=25°C)

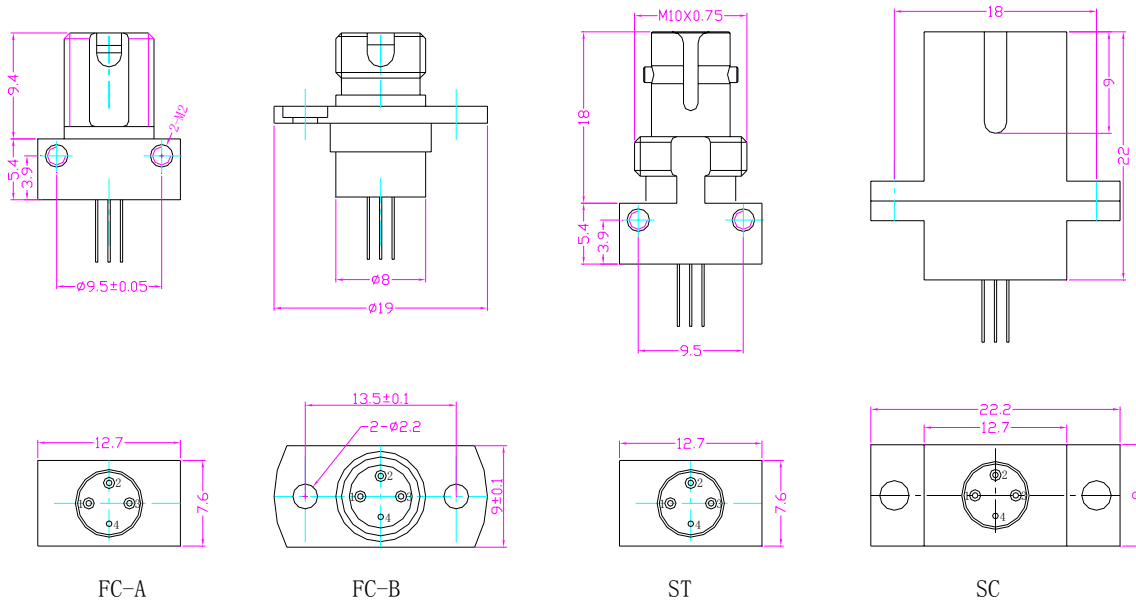
Parameters	Symbol	Min	Type	Max	Unit	
Power Supply	Vcc	3		5.5	V	
Supply current	Icc			40	mA	
DC Outpower Voltage	Vodc	1.5	2.5	3.5	V	
Sensitivity	155Mbps		-37	-36	dBm	
	1.25Gbps		-27	-23		
	2.5Gbps		-22	-20		
Response spectrum	λ_p	1100		1650	nm	
Dark current	Id		0.3	0.8	nA	
Rise/Fall time	Tr/Tf			4.5	ns	
			300	400		ps
			170	200		ps
Small-signal bandwidth	BW	115			MHz	
		750		1100		
		1500				
Saturation power	Psat	-3	0		dBm	

Pin Assignment:

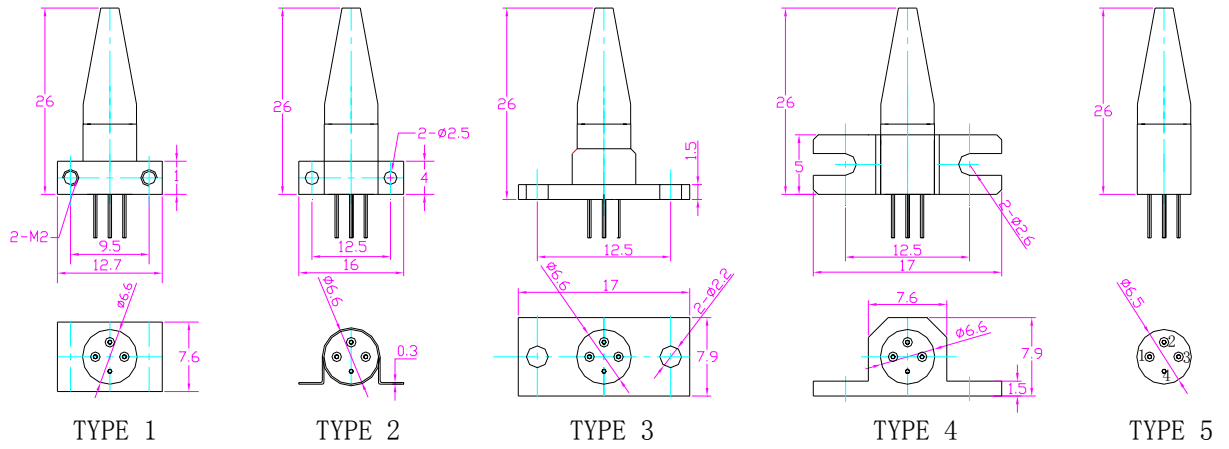
PN	4 Pin PIN-TIA	5 Pin PIN-TIA
1	Dout-	Dout
2	Dout	Vcc
3	Vcc	Vpd
4	GND	Dout-
5		GND



1 FC/ST/SC Receptacle



2 Pigtail



Ordering Information

SRO-ABCDEF

A(PIN type)	B(Pin P)	C(sensitivity)	D(Data rate)	E(Voltage)	F (Package)	
1-Si-PIN	1-55um	1\<-36dBm	1\ 2Mb/S	3-3.3v	SC	
2-APD-PIN	2-75um	2\<-31dBm	2\ 155Mb/s	5-5v	FC	
3-G-Pin	3-300um	3\<-26dBm	3\ 622Mb/s		LC	
4-4pin-tia	4-500um	4\<-20dBm	4\1.25Gb/s			
5-5pin-tia	5-1000um	5\<-18dBm	5\2.5Gb/s			
6-APD	6-2000um	0\Other	6\10Gb/s			
	7-3000um		0\Other			
	0-other					

Pigtail-Rx

SRP-ABCDEF

A(PIN type)	B(Pin P)	C(sensitivity)	D(Data rate)	E(Voltage)	F (Package)	G(fiber)
1-Si-PIN	1-55um	1\<-36dBm	1\ 2Mb/S	3-3.3v	1-FC/PC	S single
2-APD-PIN	2-75um	2\<-31dBm	2\ 155Mb/s	5-5v	2-SC/PC	M5-50um
3-G-Pin	3-300um	3\<-26dBm	3\ 622Mb/s		3-ST/PC	M6-62.5um
4-4pin-tia	4-500um	4\<-20dBm	4\1.25Gb/s		4-LC/PC	
5-5pin-tia	5-1000um	5\<-18dBm	5\2.5Gb/s		5-FC/APC	
6-APD	6-2000um	0\Other	6\10Gb/s		6-SC/APC	
	7-3000um		0\Other		7-LC/APC	
	0-other					