

# Fabry-Perot Laser Diode

**Features:**

- MQW-FP laser diode
- Low threshold current, Low operating current
- High reliability, Long operation life
- Rohs Compliant

**Applications:**

- PON, Access, Ethernet, SONET
- FTTH System

**Optical and electrical Characteristics**

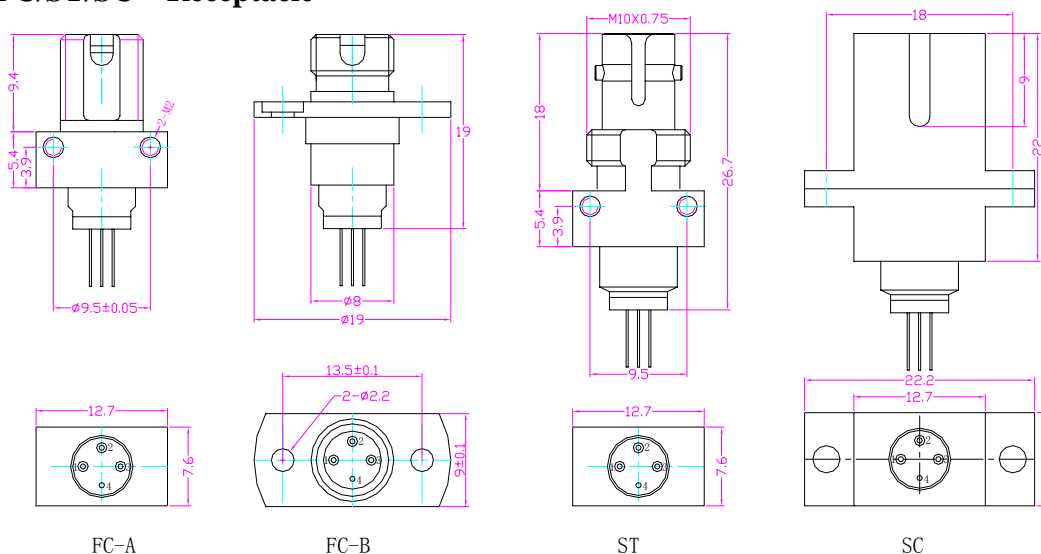
Parameter	Test condition	Symbol	Min	Typ	Max	Unit
Wavelength	If=Ith+20mA	$\lambda_p$	1280	1310	1340	nm
			1530	1550	1570	
Spectral width		$\Delta\lambda$		2	4	
Threshold current	CW 1310nm	Ith		7	15	mA
	CW 1550nm			10	15	
Forward voltage	If=Ith+20mA	V		1.1	1.5	V
Output power	If=Ith+20mA	Po	-10			dBm
			-10			
Rise and Fall Time	Ib=Ith, 10-90%	tr, tf		0.3	0.7	ns
	2.5Gb/s				0.15	
PD dark current	Vr= - 5V	Id		0.01	0.1	$\mu$ A
Photodiode current	If=Ith+20mA	Im		0.5	1	mA

**Absolute Maximum Ratings**

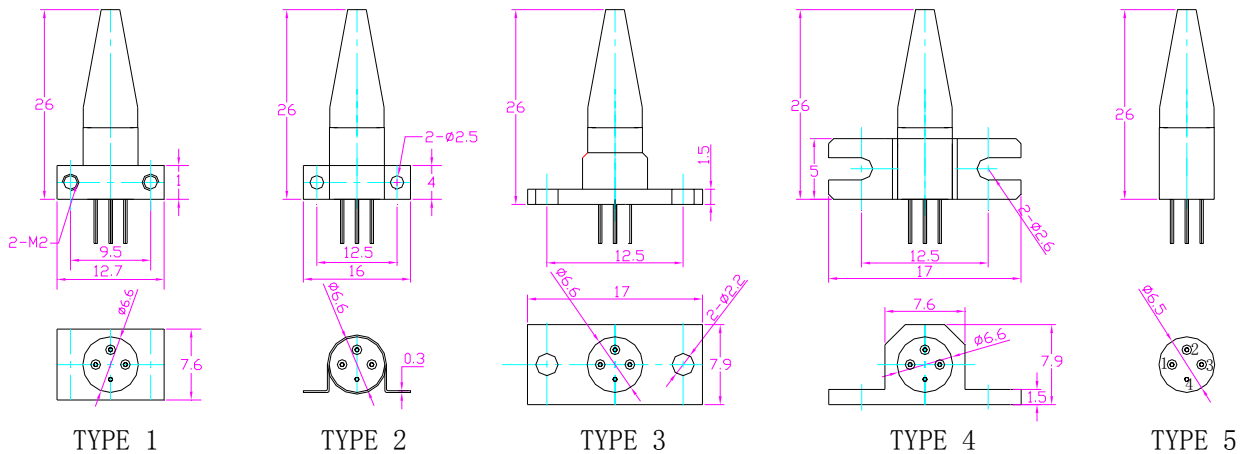
Parameter	Test condition	Ratings	Unit
Operating temperature		-40~+85	$^{\circ}$ C
Storage temperature		-40~+100	$^{\circ}$ C
Reverse voltage(LD)	CW	2.0	V
Forward Current(PD)		2	mA
Reverse voltage(PD)		15	V
Operating Current(LD)		100	mA

**Assembly Package**

**1、FC/ST/SC Receptacle**



## 2、Pigtail Package



### Pin Assignment

PN	Laser Diode Type A	Laser type C
1	LD cathode	LD cathode
2	PD Cathode	PD anode
3	PD anode	LD anode/ PD Cathode
4	LD anode & Case	GND

### Ordering Information:

#### Receptacle

STO-ABCDEFGF

A(LD type)	B(LD wave)	C(Power)	D(Data rate)	E(Pinout)	F ( Package)	G(Isolation)
F-FP	1-650nm	1\ -10-15dBm	1\ 1.25GB/S	A	SC	N
D-DFB	2-850nm	2\ -8~-10dBm	2\ 2.5Gb/s	C	FC	I
E-LED	3-1310nm	3\ -3~-8dBm	3\ 10Gb/s		LC	
	4-1490nm	4\ 0~-3dBm				
	5-1550nm	5\ +3~0dBm				
	6-1625nm	6\ +6~+3dBm				
	7-CWDM	7\ >+6dBm				

Pigtail-Tx

STP-ABCDEFGF

A(LD)	B(Wave)	C(Power)	D(Data rate)	F ( Link)	E(Pinout)	G(Isolation)	H(fiber)
F-FP	1-650nm	1\ -10-15dBm	1\ 1.25GB/S	1-FC/PC	A	N	S single
D-DFB	2-850nm	2\ -8~-10dBm	2\ 2.5Gb/s	2-SC/PC	C	I	M5-50um
E-LED	3-1310nm	3\ -3~-8dBm	3\ 10Gb/s	3-ST/PC	E		M6-62.5um
	4-1490nm	4\ 0~-3dBm	0\ other	4-LC/PC			
	5-1550nm	5\ +3~0dBm		5-FC/APC			
	6-1625nm	6\ +6~+3dBm		6-SC/APC			
	7-CWDM	7\ >+6dBm		7-LC/APC			